



AXA POWER[®]

AXA 2200 28 VDC Ground Power Unit
- 200 V, 400 Hz input

AXA Power is the world's leading supplier of 400 Hz and 28 VDC solid-state Ground Power Units with more than 6,000 units in operation at leading airports world-wide.

All AXA 28 VDC GPUs are based on the solid-state technology - thus assuring first class performance even under the most extreme conditions. Wear and tear is limited to a minimum because there are no rotating parts.

The AXA 28 VDC Add-on GPU can be supplied by almost any existing 400 Hz power unit. It is available in a mobile stand alone version.



AXA POWER[®]

THE SAFE CHOICE

Specifications

AXA 2200 28 VDC Ground Power Unit

Input

- Voltage range: 3 x 200 V $\pm 10\%$
- Frequency: 400 Hz $\pm 10\%$
- Rectification: 12 pulse
- Line current: 56 A (nominal value)
- Power factor: >0.9
- Inrush current: None, soft start

Output

- Current: 600 A continuously (can be limited to 300 A upon request)
- Voltage: 28 VDC (or as adjusted)
- Ripple: less than 1% at full load
- Voltage regulation: $<0.5\%$ from 0 to nominal voltage
- Output voltage: 21-32 V
- Voltage compensation: 0-3 V
- Crest factor: 1.414 $\pm 3\%$

Protection

- Protection class: IP55
- Over/under voltage at in/output
- Phase sequence at input
- Over temperature
- Internal voltage error
- Short circuit at output
- Over and under voltage at output
- Trip in case that:
 - U <20 VDC for more than 4 seconds
 - U >32 VDC for more than 4 seconds
 - U <40 VDC for more than 1 second

Norms and Standards

ISO 6858	Aircraft ground support electrical supplies- General requirements
MIL-704E	Aircraft electric power characteristics.
EN 62040-1-1	General and safety requirements
EN 61000-6-4	Electromagnetic compatibility, Generic emission standard (EN 50081-2)
EN 61000-6-2	Electromagnetic compatibility Generic immunity standard (EN 50082-2)
IEC 60721	Classification of environmental conditions
IEC 60529	Classification of degrees of protection provided

Weight

- Approx. 275 kg

Efficiency

- Overall efficiency: >0.90
- Stand by losses: <50 W
- No load losses: <600 W

Environmental

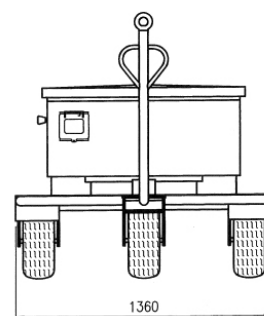
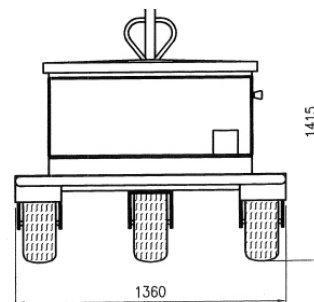
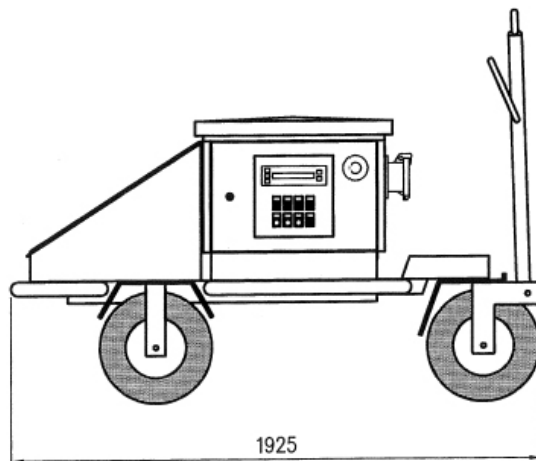
- Operating temperature: -40°C to $+52^{\circ}\text{C}$ (125°F)
- Relative humidity 10-95%
- Noise level <65 dB(A)@1m - typically 60 dB(A)

Overload ratings - 600 A

- 1200 A for 30 seconds
- 1800 A for 10 seconds
- 2100 A for 5 seconds
- 2400 A for 2 second

Miscellaneous

- MTBF (proven): 100.000 hours
- Ventilation system: min. 25.000 hours
- MTTR: max. 20 minutes



February 2008

AXA Power ApS
Smedebakken 31 - 33
DK - 5270 Odense N
Denmark

tel: +45 63 18 60 00
fax: +45 66 18 70 92
e-mail: sales@axapower.com
web: www.axapower.com

AXA POWER®

THE SAFE CHOICE